

Pump Basins

Submittal
Data Sheet



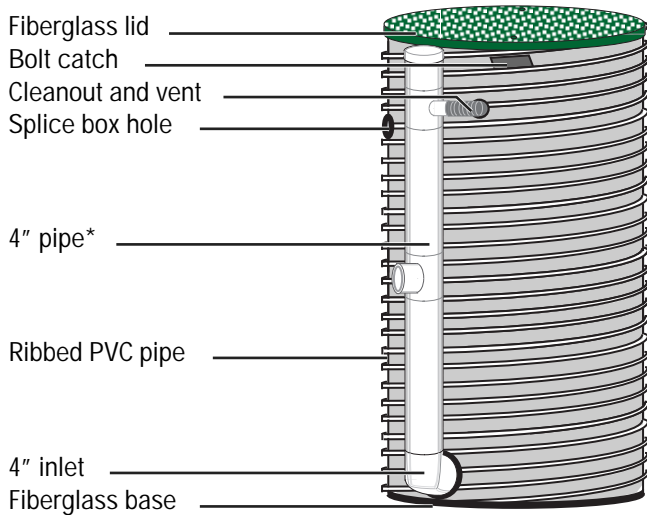
Applications

Oreco Pump Basins are designed to house effluent, sewage, or grinder pumps in wastewater pumping applications.

General

Oreco Pump Basins are constructed of PVC pipe in 21", 24", and 30" diameters. Bases are fiberglass attached with epoxy. Lids are textured fiberglass with stainless steel fastening bolts. A 4" inlet elbow and holes to accommodate splice boxes and discharge piping are located and sized to specific need.

Watertight EPDM grommets are used for plumbing, venting, and electrical piping penetrations. Optional equipment includes float stem holders, splice boxes, and cleanout/vent assemblies.



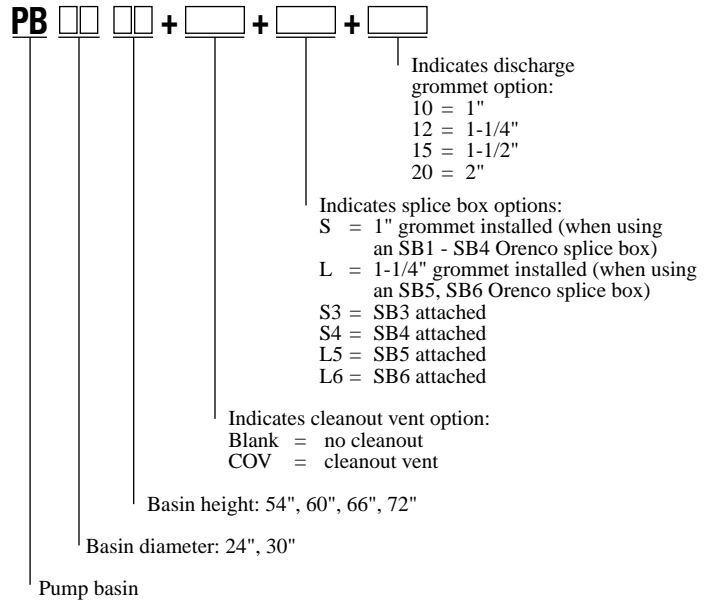
* 4" pipe not supplied by Oreco

Standard Models

PB2154, PB2454, PB3054

(Custom basins are available for specific configurations.)

Nomenclature



Specifications

Dimensions:

| | PB21XX | PB24XX | PB30XX |
|-------------------------------|--------|--------|--------|
| Basin diameter (in.) | 21.00 | 24.00 | 30.00 |
| Inner diameter of basin (in.) | 20.75 | 23.50 | 29.50 |
| Liquid capacity (gal./in.) | 1.46 | 1.88 | 2.96 |

Materials of Construction:

| | |
|--------------------------|-------------------|
| Ribbed PVC Pipe: | PVC Perma-Loc |
| Fiberglass Lid and Base: | Molded fiberglass |
| Grommets: | EPDM |